

The
Definitive
COLLECTION


OMNIA
by imagine a VEKA plc brand

HERITAGE DOOR RANGE

Setting new standards for design, efficiency and security

THE STRENGTH OF TRADITION

The Omnia Heritage Doors feature a double-rebated design with a flush appearance both inside and out. Their sleek construction is complemented by no visible gaskets, creating a clean, refined finish.



Knife Weld (white only)



Heritage Timber-Look Weld
Foil on Foil products only.

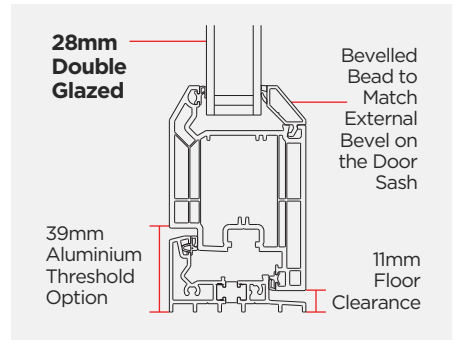
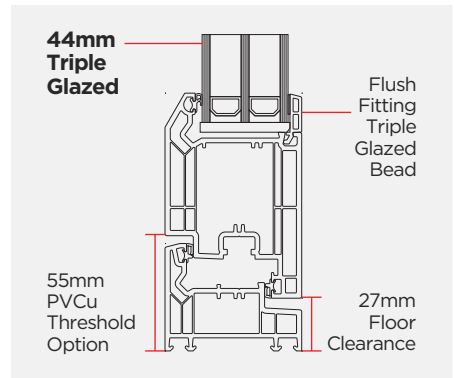


Mechanical mullion to midrail

All of our panels are reinforced as standard. For enhanced protection, you can upgrade to SECURICORE reinforcement, providing extra security and meeting PAS 24 standards.



Exclusive Finish
Foil on White and Foil on Foil products.



Four Threshold Options

- 67mm PVCu threshold**
39mm floor clearance
- 55mm PVCu threshold** – 27mm floor clearance
- 39mm Veka rebated aluminium threshold**
(available in black and silver) – 11mm floor clearance
- Stormguard Document M low aluminium threshold**
(available in silver) – 20mm floor clearance

Please note: all clearances exclude an external cill, which is 30mm high.



GT Quad Guard Hinge Protection

3 per Door, fully tested to PAS 24 standards to enhance door security.

Four-Hinge Design for Added Strength

Our doors use a four-hinge system, with two hinges positioned at the top, one in the middle, and one at the bottom. This design provides extra support for heavier doors, helping to distribute weight evenly and prevent sagging over time. The result is a stronger, more stable door that opens and closes smoothly and continues to perform perfectly for years to come.

Fully Adjustable SFS Hinges

SFS fully adjustable hinges, meticulously designed to replicate the look of a traditional butt hinge for architectural authenticity, while offering effortless precision alignment.



27mm Hinge Clearance
from edge of hinge to edge of door

Exceptional Design & Flexibility

The range offers far greater flexibility in sizing when compared with traditional Composite Doors. Our Heritage range allows doors to be manufactured both larger and smaller, making it ideal for heritage properties, non-standard openings, and bespoke architectural designs. This versatility ensures a precise fit without compromise, delivering both design freedom and outstanding performance where standard Composite Doors simply cannot. With PAS 24 security accreditation and U-values as low as 0.9 (Using 44mm Triple Glazing), Omnia Heritage Doors deliver outstanding thermal efficiency—performing just as impressively as they look.



- Inner strength
- Anti-Freeze
- Anti-Pick
- Anti-Drill
- Anti-Bump
- Anti-Glue
- Anti-Snap

***Yale Platinum ULTRA Cylinder**
as standard, £5000 Security guarantee
Sizes: 45/50 Open In & 50/45 Open Out



Key-wind locks (for bar handles)

Due to the profile design, only a limited range of Offset bar handles are available in 1200mm or 1500mm lengths. Please note that these doors feature four locking points and do not include compression rollers. The Yale Ultra Cylinder is positioned as shown on page 4, known as the Town-house position. A pull escutcheon cannot be fitted to this door.



*Yale Lockmaster locking strip

Unlike composite doors, our door comes with **10 point hook and cam locking** for increased compression, security and weatherproof performance

**Only on lever/lever handles (not on Bar Handles)*



*Adjustable compression cams

4 x Adjustable compression cams that pull the door leaf into the weatherseal

**Only applies to lever/lever handle*



PAS 24

(Publicly Available Specification 24)

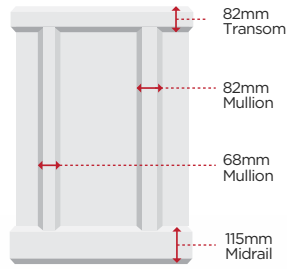
is a UK security standard developed by the British Standards Institution for Door-sets and Windows. It confirms that products can resist forced entry attempts by opportunistic intruders using common tools such as screwdrivers and hammers. PAS 24 certification is frequently required to meet Approved Document Q of the Building Regulations and the Secured by Design (SBD) police initiative for designing out crime.



DOOR DESIGNS

There are 18 styles of door and we need to confirm the position and type of midrail or mullion on each design:

115mm Midrail & 82mm Transom
68mm & 82mm Mullion



All mullions and midrails are mechanically jointed



Langtoft



Cowlam
115mm Midrail

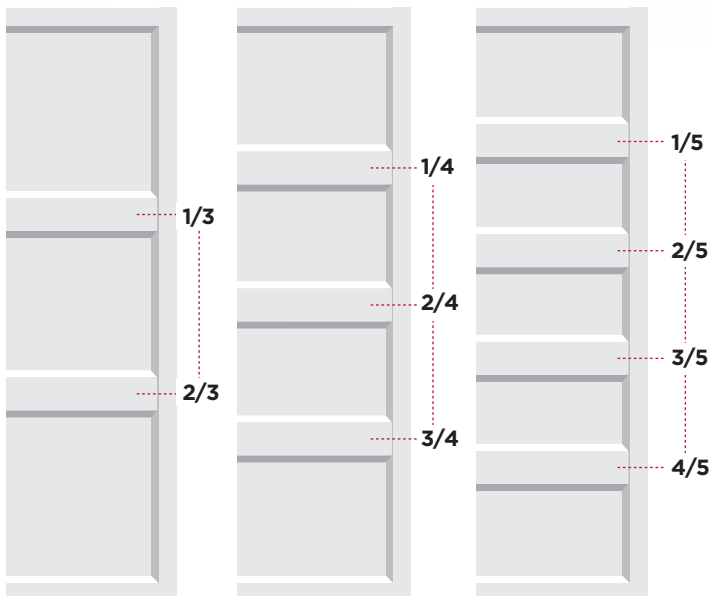


Harwood
115mm Midrail | 82mm Mullion



Primrose
115mm Midrail | 82mm Mullion

Mullion Heights

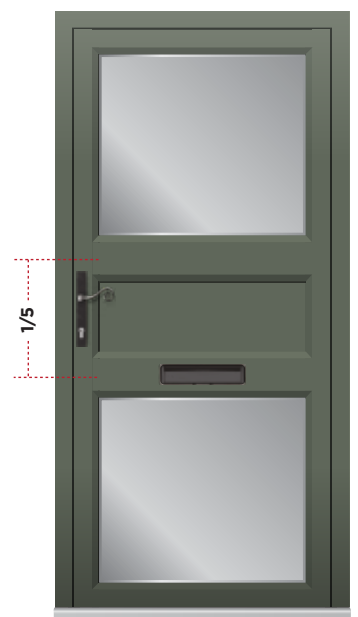


This style guide outlines design options for Omnia Heritage Doors. Each aperture may be glazed with glass or panel, enabling a wider range of design.

Please note: The door designs featured and named have been created exclusively using our Omnia Flush Sash Profile. While these designs can be produced in System 10 or Rustique, this must be clearly specified on your order. If you order a door using any of the names listed in this guide without specifying a different profile, it will be supplied in the Omnia Flush Profile by default.



Elmswell
82mm Trans | 115mm Midrail
82mm Mullion



Everley
115mm Midrail



Cloughton

115mm Midrail | 82mm Mullion



Kilham

115mm Midrail | 82mm Mullion



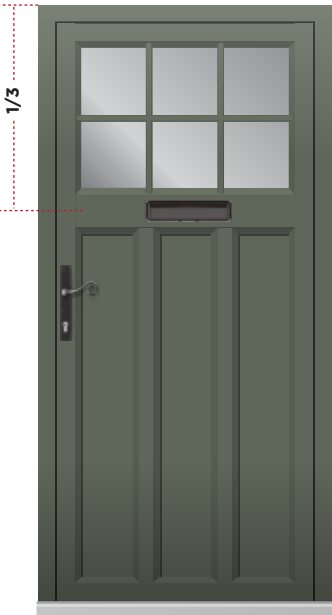
Reighton

115mm Midrail | 82mm Mullion



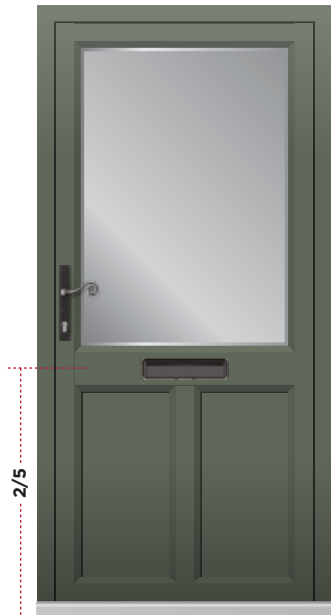
Buckton

115mm Midrail



Burniston

115mm Midrail | 68mm Mullion



Hutton

115mm Midrail | 82mm Mullion



Carnaby

82mm Mullion

*Features optional 1500 offset bar handle



Butterwick

82mm Mullion

*Features optional 1500 offset bar handle



Suffield

115mm Midrail | 82mm Mullion

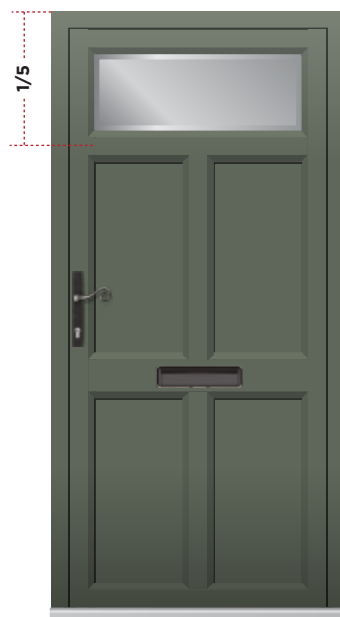
*Features optional 1500 offset bar handle



Egton

115mm Midrail

*Features optional 1500 offset bar handle



Snainton

82mm Trans | 115mm Midrail
82mm Mullion



Lockton

115mm Midrail | 82mm Mullion x2

THE DEFINITIVE DIFFERENCE...

Definitive | What makes the Definitive by Design. | Collection different?

The Definitive Collection is engineered for homeowners who want proven performance, not assumptions.

Many products within the range have been independently tested to PAS 24, the UK's recognised standard for enhanced security. This testing evaluates resistance to:

- Forced entry using common tools
- Attack on locks, hinges and glazing
- Sustained pressure designed to exploit weak points

PAS 24 testing provides reassurance that products have been independently assessed for enhanced security.

Furniture Range

	 Standard Lever / Lever Handle	 Architectural Door Handle	 Heritage Door Handle	 Regal Door Handle
White	✓			
Hardex Chrome	✓	✓		
Hardex Graphite	✓	✓		
Hardex Gold	✓	✓		
Hardex Bright Bronze	✓	✓		
Black	✓			
Antique Black	✓			
Pewter	✓			
Stainless Steel	✓			✓
Forged Black				
Heritage Black			✓	
Heritage Pewter			✓	
Heritage Pewter Patina			✓	
Heritage Antique Bronze			✓	

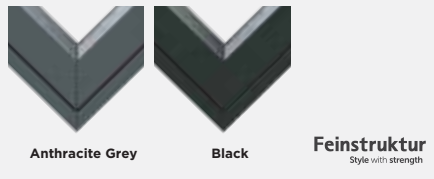


Colour Range

Woodgrain Foil (WF)



Feinstruktur Foils - FINE STRUCTURE (FF)



Textured Foils (TF)



FOIL FINISH	CODE	EXTERNAL FACE	INTERNAL FACE
WOODGRAIN FOIL			
White	WF	White Foil	White
White	WF	White Foil	White Foil
Agate Grey	WF	Agate Grey Foil	White
Agate Grey	WF	Agate Grey Foil	White Foil
Anthracite Grey	WF	Anthracite Grey Foil	White
Anthracite Grey	WF	Anthracite Grey Foil	White Foil
Anthracite Grey	WF	Anthracite Grey Foil	Anthracite Grey Foil
Beck Brown	WF	Beck Brown Foil	White
Beck Brown	WF	Beck Brown Foil	White Foil
Beck Brown	WF	Beck Brown Foil	Beck Brown Foil
Chartwell Green	WF	Chartwell Green Foil	White
Cream	WF	Cream Foil	White
Cream	WF	Cream Foil	White Foil
Cream	WF	Cream Foil	Cream Foil
Irish Oak	WF	Irish Oak Foil	Irish Oak Foil
Pebble Grey	WF	Pebble Grey Foil	White
Pebble Grey	WF	Pebble Grey Foil	White Foil
Claystone	WF	Claystone Foil	White
Claystone	WF	Claystone Foil	White Foil
FEINSTRUKTUR FOIL			
Feinstruktur Anthracite	FF	Anthracite Grey Foil	White
Feinstruktur Anthracite	FF	Anthracite Grey Foil	Anthracite Grey Foil
Feinstruktur Black	FF	Black Foil	White
Feinstruktur Black	FF	Black Foil	Black Foil
TEXTURED FOIL			
Sage Green	TF	Sage Green Foil	White

Premium Upgrade

Monkey Tail Door Handle	Noble Door Handle	*1200 & 1500mm Offset Round Bar Handles	Standard Letterplate	Heritage Letterplate	Letterplate Cows Doc Q
			✓		✓
			✓		✓
			✓		✓
			✓		✓
			✓		✓
			✓		✓
			✓		✓
			✓		✓
		✓	✓		
✓	✓		✓		
			✓	✓	
			✓	✓	

*Pull escutcheon and inline bar handles are not available due to face limitations on the profile.

Definitive by Design.

Since 1989, **The Definitive Collection** has provided superior **Windows and Doors**. Don't be misled by appearances—while designs may look alike, the quality of integral components can vary significantly. We eliminate the guesswork by partnering only with the most reliable, performance-driven suppliers in the industry, guaranteeing you a product built to last.



SCAN HERE FOR OUR
FULL DEFINITIVE
COLLECTION RANGE



SCAN HERE FOR
OUR NEW HERITAGE
FURNITURE RANGE



SCAN HERE FOR
OUR CLEANING &
MAINTENANCE GUIDE

www.thedefinitivecollection.co.uk

The colours of the doors and glass shown in this brochure are for guidance only and may vary owing to the limitations of the photographic, reproduction and printing processes. Please note: The door designs featured and named have been created exclusively using our Omnia Flush Sash Profile. While these designs can be produced in System 10 or Rustique, (Bar handle variant is not available in S10 or Rustique), this must be clearly specified on your order. If you order a door using any of the names listed in this guide without specifying a different profile, it will be supplied in the Omnia Flush Profile by default. May 2026.

The
Definitive
COLLECTION
